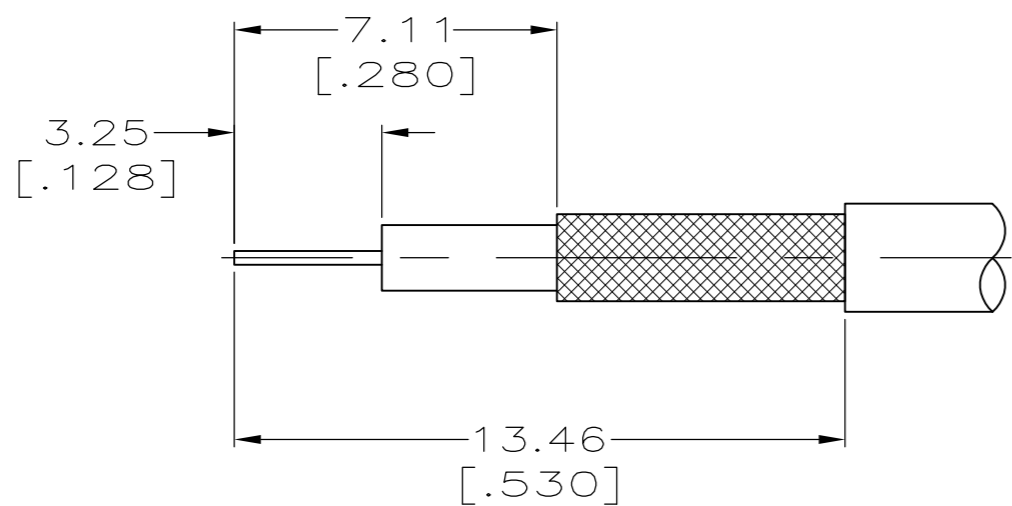
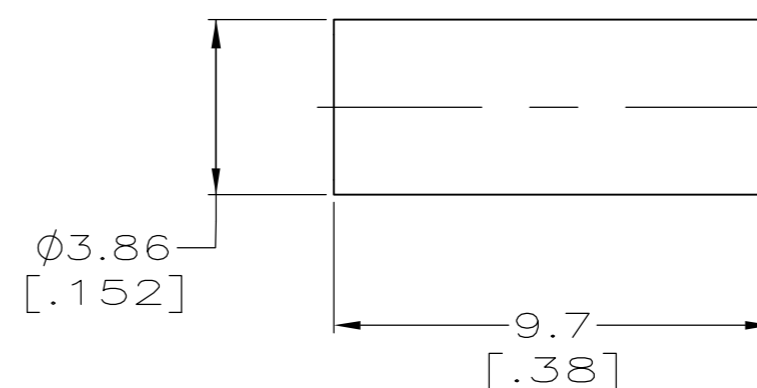
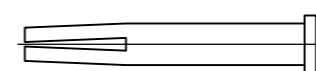
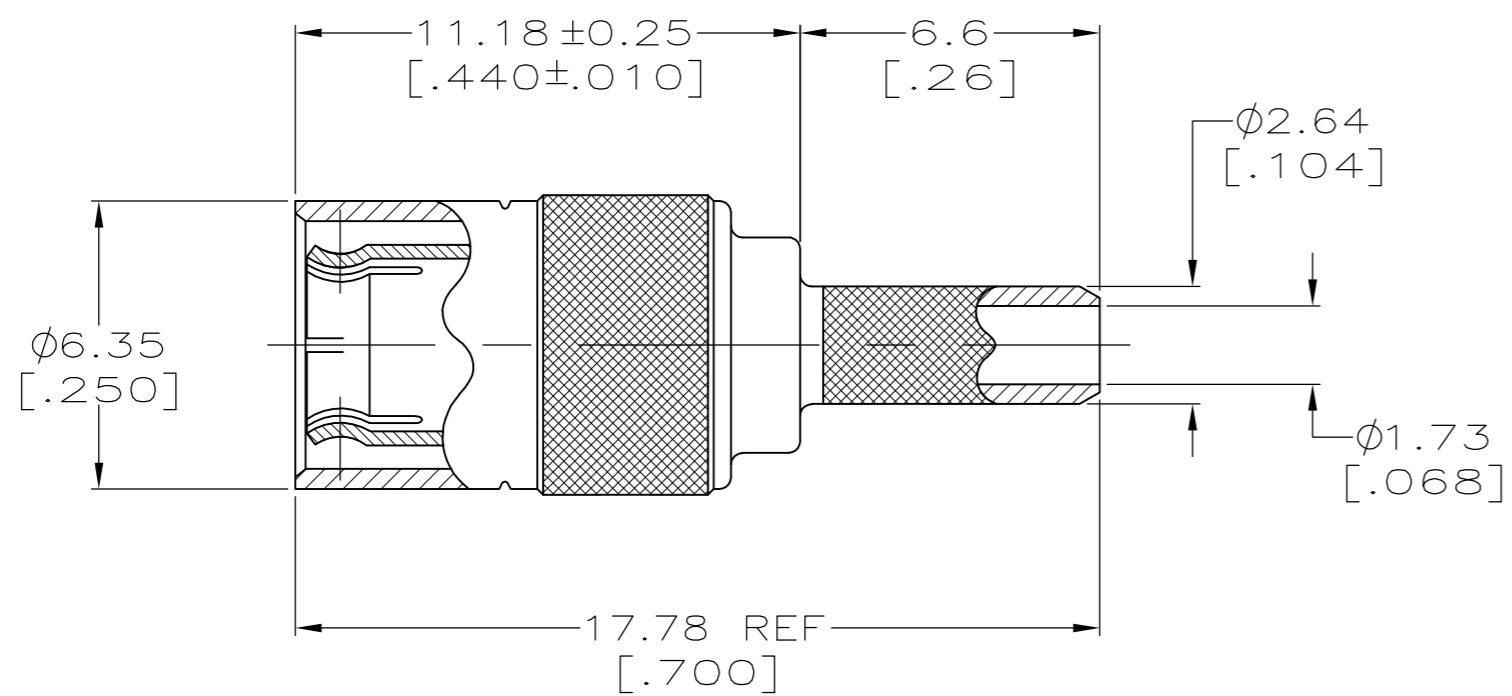


THIS DRAWING IS UNPUBLISHED. RELEASED FOR PUBLICATION
 © COPYRIGHT - By - ALL RIGHTS RESERVED.

| LOC | | DIST | | REVISIONS | | | |
|-----|-----|-------------|---------------|-----------|-----|------|--|
| P | LTR | DESCRIPTION | | DATE | DWN | APVD | |
| AJ | 16 | A2 | ECR-12-005726 | 27MAR12 | RK | MY | |



RECOMMENDED STRIP LENGTHS



- △ MATERIALS:
 BODY: ZINC PER ASTM-B-86.
 OUTER CONTACT: BERYLLIUM COPPER PER ASTM-B-194.
 CENTER CONTACT: BERYLLIUM COPPER PER ASTM-B-196.
 DIELECTRIC: PTFE PER ASTM-D-1710.
- △ FINISHES:
 BODY: NICKEL PER QQ-N-290.
 OUTER CONTACT: GOLD PER ASTM-B-488.
 CENTER CONTACT: GOLD PER ASTM-B-488.
- △ FINISHES:
 BODY: NICKEL PER QQ-N-290.
 OUTER CONTACT: NICKEL PER QQ-N-290.
 CENTER CONTACT: GOLD PER ASTM-B-488.
- △ TOOLING INFORMATION:
 CONTACT CRIMP: HAND TOOL M-22520/2-01 WITH DANIELS POSITIONER #K699, USE WITH SELECTOR #4.
 BRAID CRIMP: HAND TOOL M-22520/5-01 WITH DANIELS DIE SET #HX4-1637 (.128 HEX) OR TE PRO-CRIMPER WITH DIE SET #58483-1, USE POSITION LETTER B.
- 5. SEE INSTRUCTION SHEET 408-2987-12.
- △ TOOLING INFORMATION:
 CONTACT CRIMP: HAND TOOL M-22520/2-01 WITH DANIELS POSITIONER #K699, USE WITH SELECTOR #4.
 BRAID CRIMP: HAND TOOL M-22520/2-01 WITH DANIELS DIE SET #HX4-1637 (.151 HEX) OR TE PRO-CRIMPER WITH DIE SET #58483-1, USE POSITION LETTER C.
- △ FOR USE WITH RG 179/U CABLE.
- △ FOR USE WITH RD 179/U (DOUBLE-BRAIDED) CABLE.

| | | | |
|-------|---------|--------|-------------|
| △8 | △6 | △3 | 5415487-3 |
| △7 | △4 | △3 | 5415487-2 |
| △7 | △4 | △2 | 5415487-1 |
| CABLE | TOOLING | FINISH | PART NUMBER |

| | | | | |
|---|------|---------------------------------|--------------------------------|------------|
| THIS DRAWING IS A CONTROLLED DOCUMENT. | | DWN J. HAVENER 01APR2005 | TE Connectivity | |
| DIMENSIONS: mm [INCHES] | | CHK J. HAVENER 01APR2005 | CABLE PLUG 75 OHM, MINI-SMB | |
| TOLERANCES UNLESS OTHERWISE SPECIFIED: 0 PLC ± - 1 PLC ± 0.3 [.01] 2 PLC ± 0.13 [.005] 3 PLC ± - 4 PLC ± - ANGLES ± - | | APVD J. HAVENER 01APR2005 | NAME | |
| MATERIAL | | PRODUCT SPEC | SIZE | |
| FINISH | | APPLICATION SPEC | CAGE CODE | DRAWING NO |
| △1 | △2△3 | WEIGHT | A2 00779 | 5415487 |
| CUSTOMER DRAWING | | | SCALE | SHEET |
| | | | 6:1 | 1 of 1 |
| | | | REV | A2 |